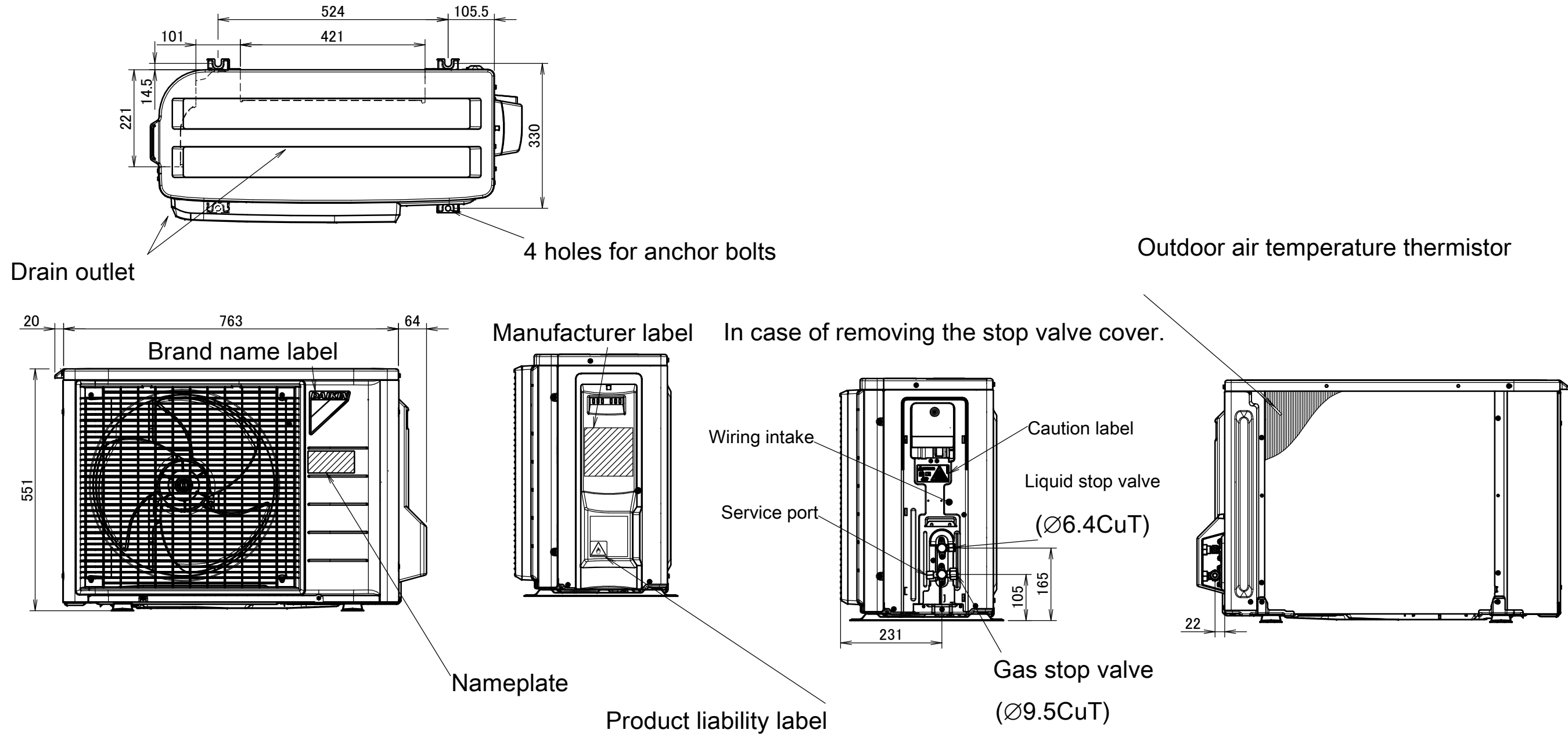


# RXTM-N



Minimum space for air passage

Wall height on air outlet side < 1200 mm

