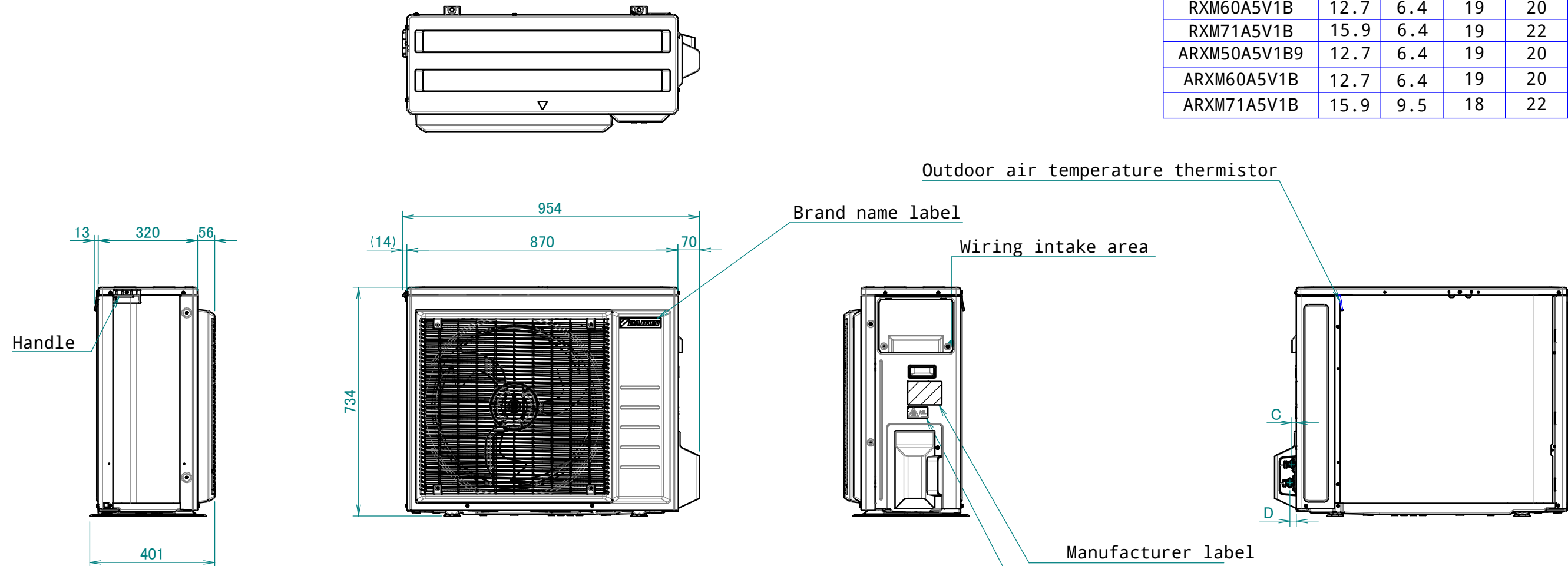


**ARXM50A9**  
**ARXM60-70A**  
**RXM50A9**  
**RXM60-71A**

Model	øA	øB	C	D
RXM50A5V1B9	12.7	6.4	19	20
RXM60A5V1B	12.7	6.4	19	20
RXM71A5V1B	15.9	6.4	19	22
ARXM50A5V1B9	12.7	6.4	19	20
ARXM60A5V1B	12.7	6.4	19	20
ARXM71A5V1B	15.9	9.5	18	22



4 holes for anchor bolts  
M8 or M10

Pitch of foundation bolt holes

Drain outlet  
Connection hose (inside diameter: 15.9mm)

In case of removing the stop valve cover.

Minimum space for air passage  
Wall height on air outlet side < 1200 mm

