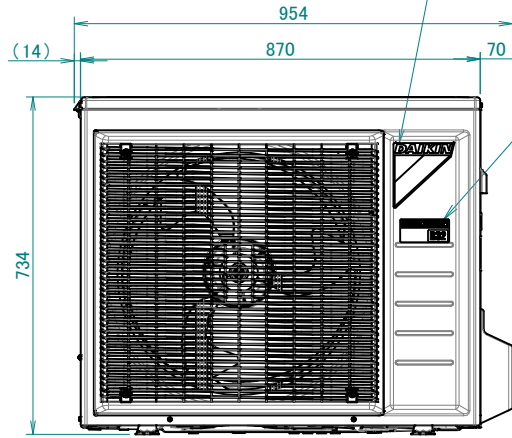


Brand name label

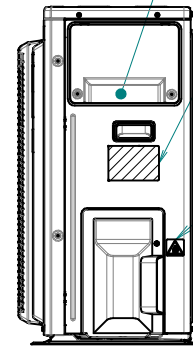
Nameplate



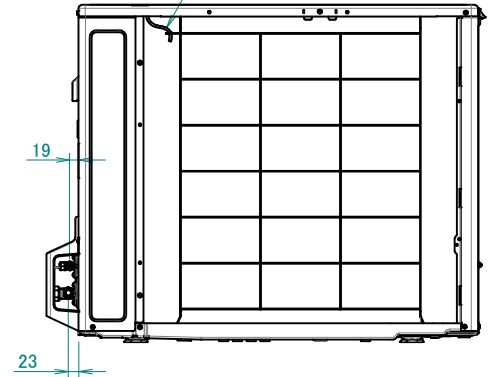
Wiring intake area

Manufacturer label

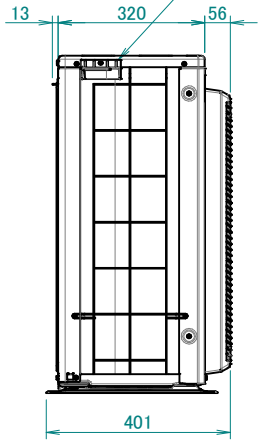
Product liability label



Outdoor air temperature thermistor

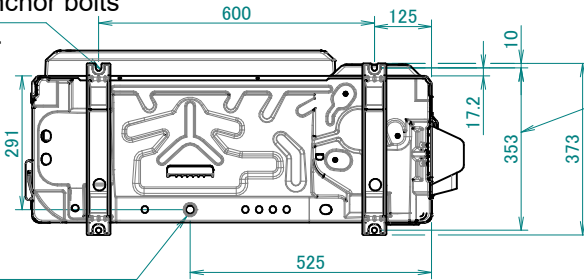


Handle



4 holes for anchor bolts

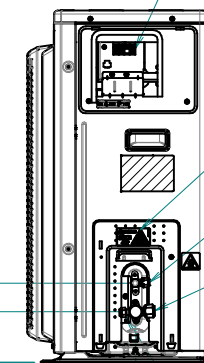
·M8· or ·M10·



Pitch of foundation bolt holes

In case of removing the stop valve cover.

Terminal strip with earth terminal



Caution label

Liquid stop valve
ø6.4 CuT

Gas stop valve
ø12.7 CuT

Service port

Drain outlet

Connection hose (inside diameter: ·15.9·mm)

Minimum space for air passage

Wall height on air outlet side < 1200 mm

