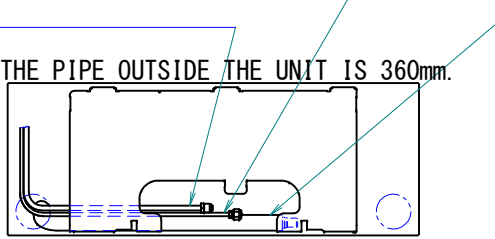
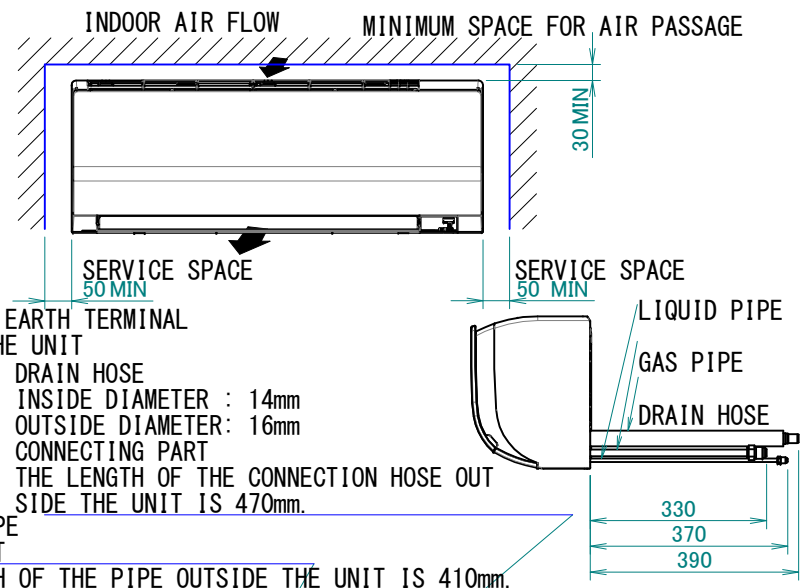
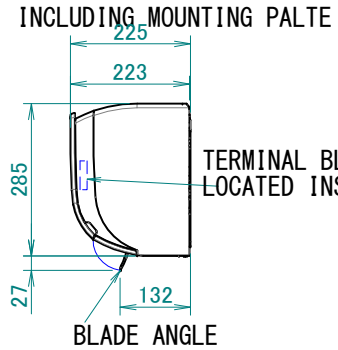
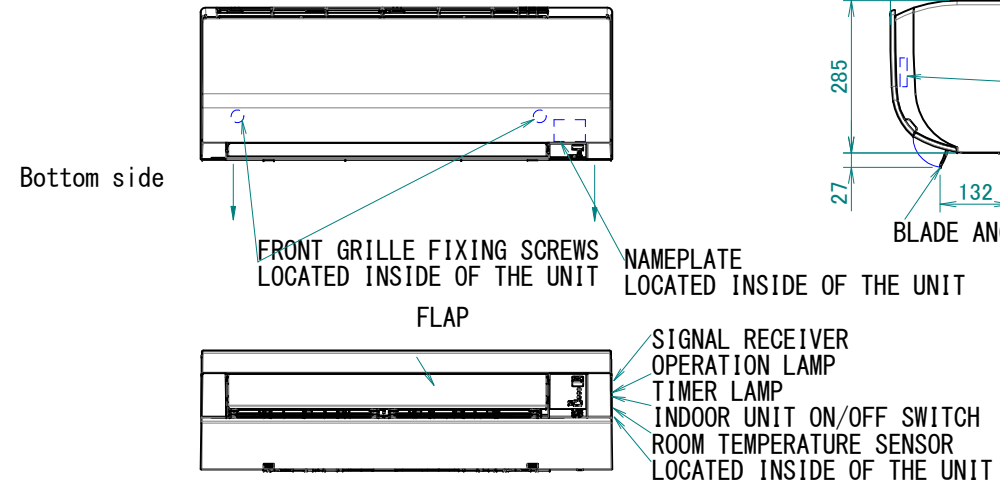
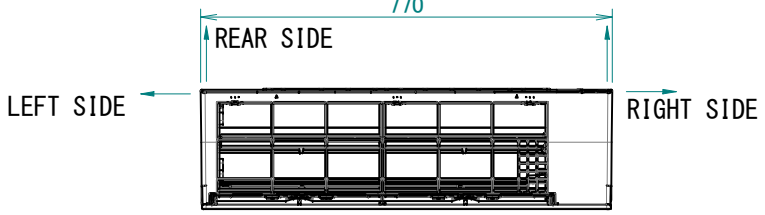


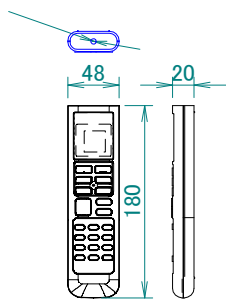
ATXD-A

THE " → " MARK SHOWS THE PIPING DIRECTION.

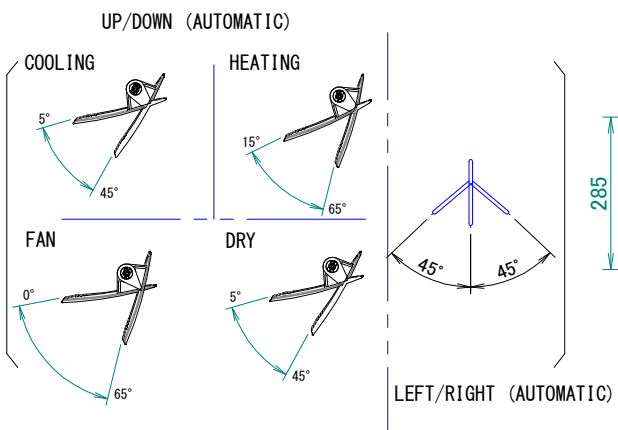
REQUIRED SPACE FOR SERVICE AND VENTILATION



SIGNAL TRANSMITTER



BLADE ANGLE



WIRELESS REMOTE CONTROL (ARC480A78)

STANDARD LOCATION OF HOLES IN THE WALL

3D144255