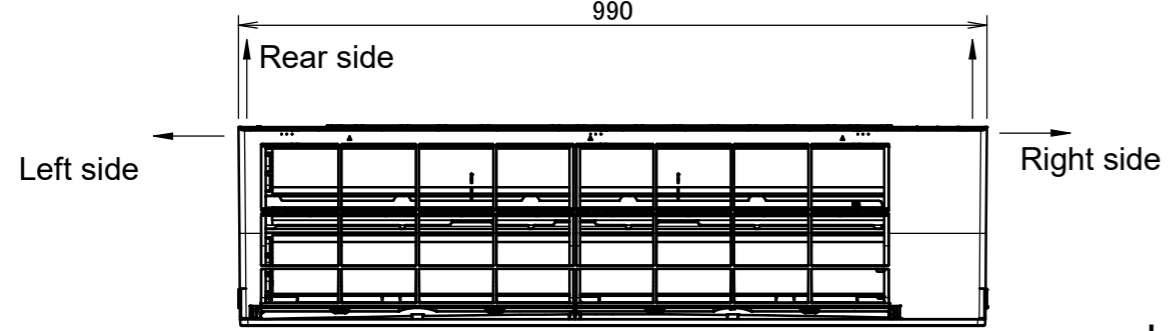
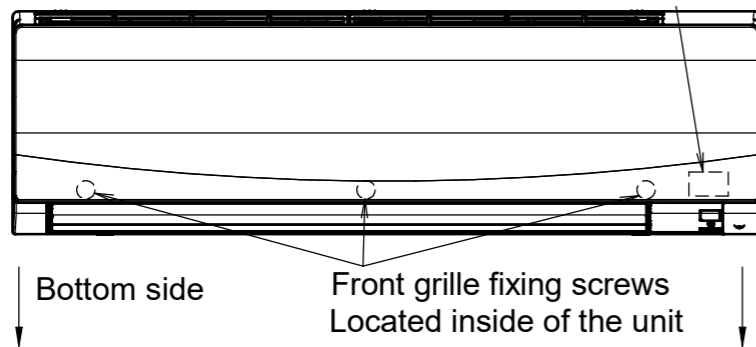


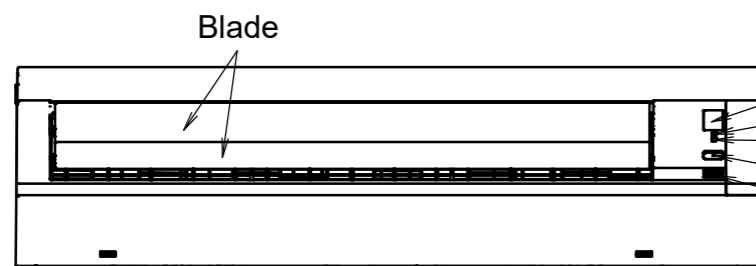
The → mark shows the piping direction.



Nameplate  
Located inside of the unit



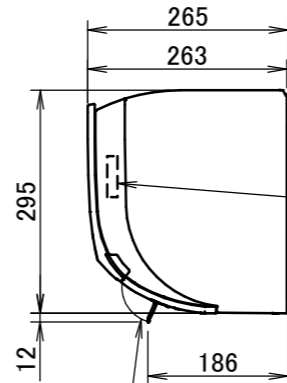
Bottom side  
Front grille fixing screws  
Located inside of the unit



Blade

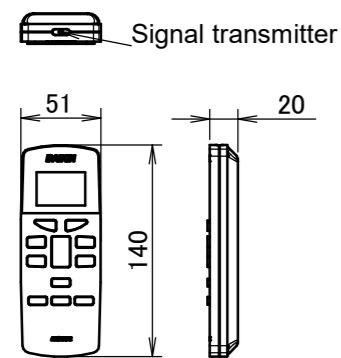
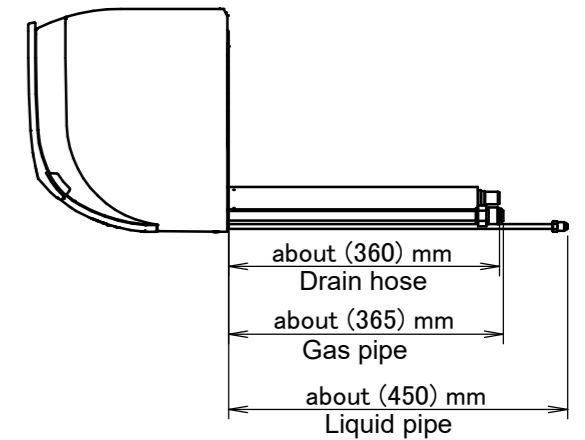
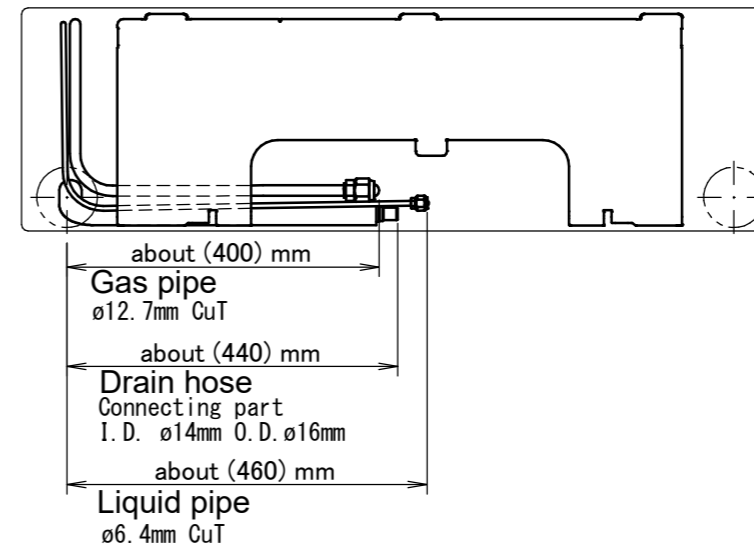
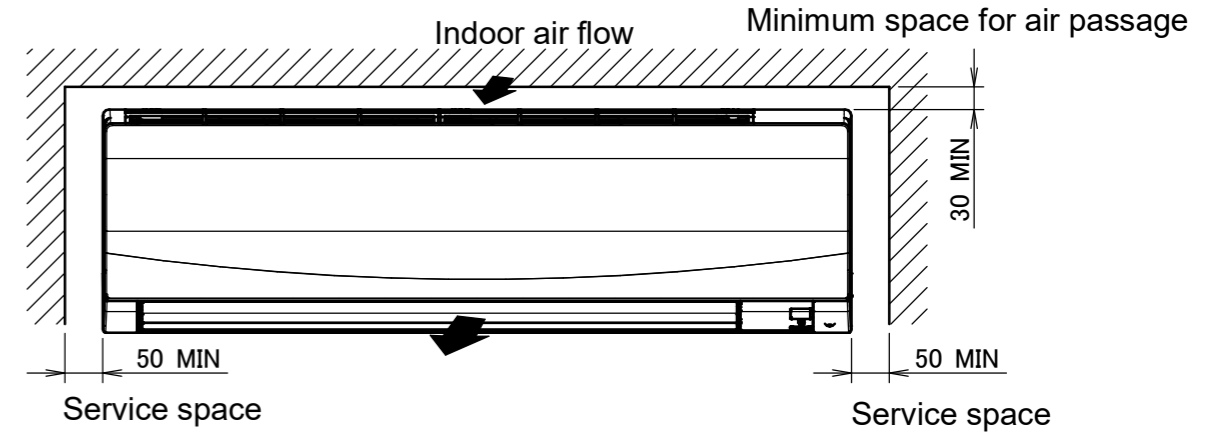
Signal receiver  
Operation lamp  
Timer lamp  
Indoor unit On/OFF switch  
Room temperature sensor  
Located inside of the unit

Including mounting plate



Blade angle

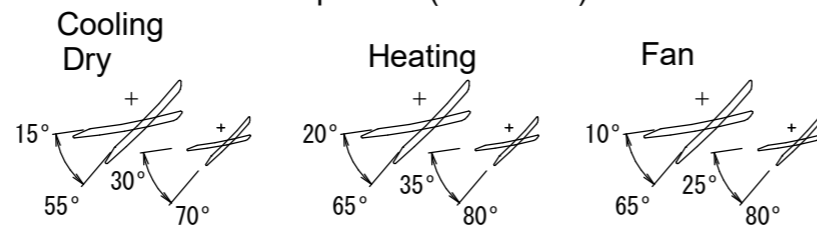
Required space for service and ventilation



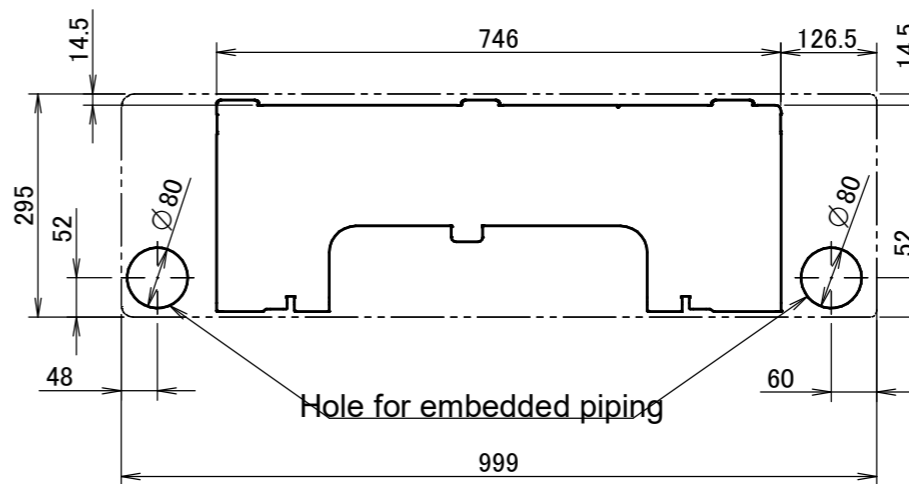
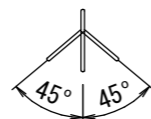
Wireless remote control  
(ARC470A1)

Blade angle

Up/down (automatic)



Left/right (manual)



Standard location of holes in the wall