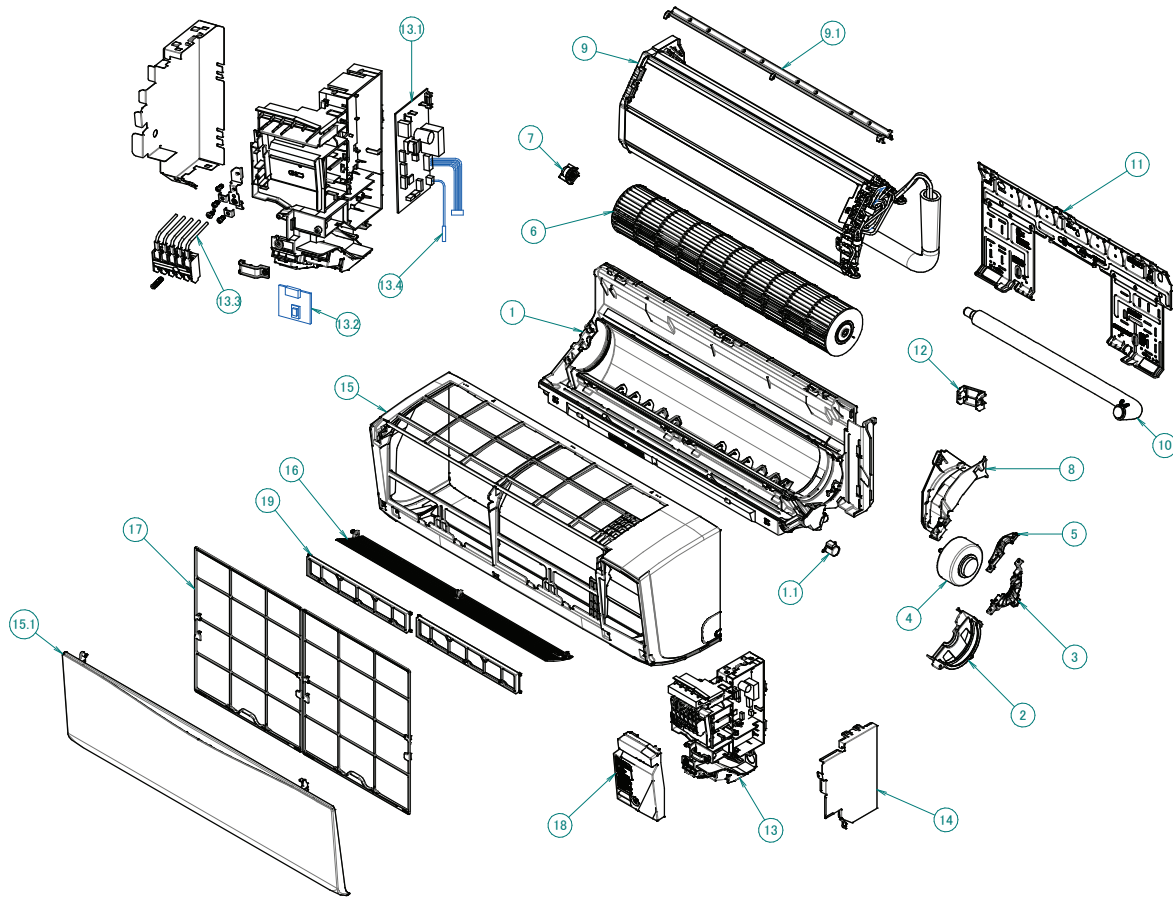


ATXC20-50D

FTXC20-50D



No	Description
1	Bottom frame assy
1.1	Stepping motor
2	Motor mounting plate (1)
3	Motor mounting plate (2)
4	Fan motor (DC)
5	Motor mounting plate (3)
6	Cross flow fan assy
7	Fan bearing vibration absorber assy (M)
8	Right side panel (resin)
9	Heat exchanger assy
9.1	Sealing plate (top)
10	Drain hose assy
11	Installation plate assy
12	Piping fixture
13	El. compo. assy (DC)
13.1	Control module
13.2	IR receiver board
13.3	Assy, harness wire
13.4	Indoor coil sensor
14	Shield plate (2)
15	Front grille
15.1	Front panel
16	Disch. grille hor. blade assy
17	Air filter
18	Service cover assy
19	Air filter assy titanium apatite

3D141728A