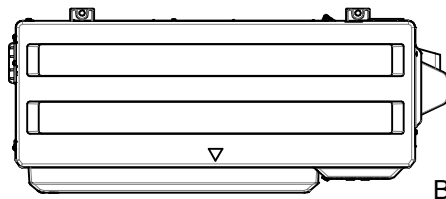
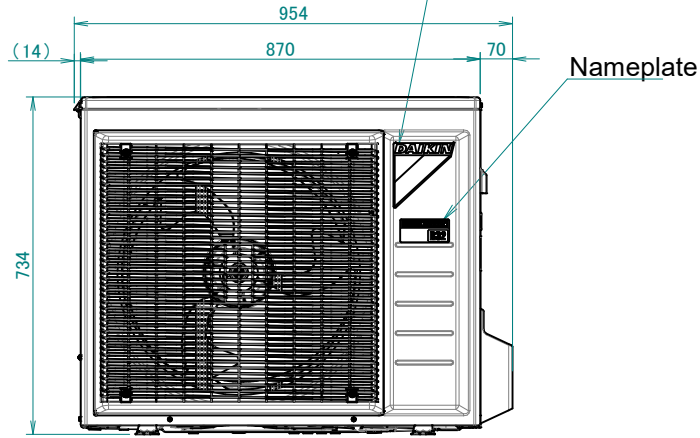


RXF50-71D



Handle

Brand name label



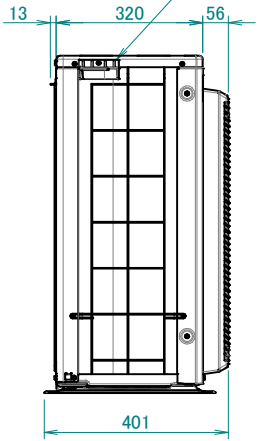
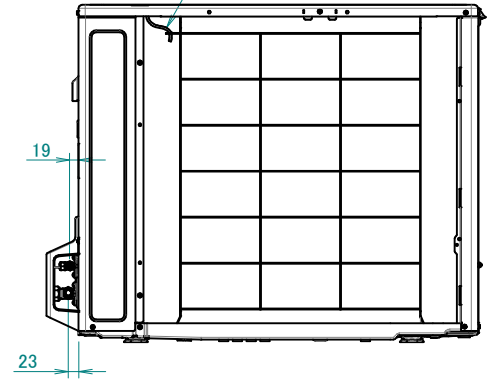
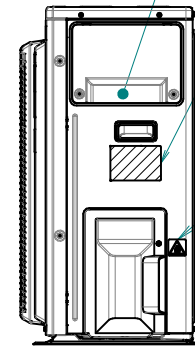
Nameplate

Wiring intake area

Manufacturer label

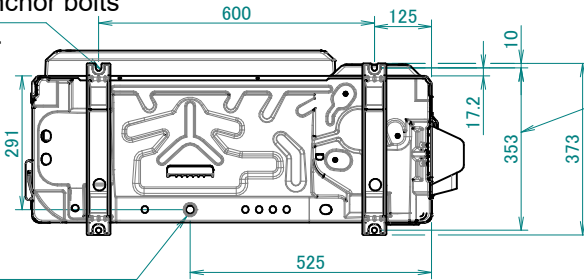
Product liability label

Outdoor air temperature thermistor



4 holes for anchor bolts

·M8· or ·M10·



Pitch of foundation bolt holes

Drain outlet

Connection hose (inside diameter: ·15.9·mm)

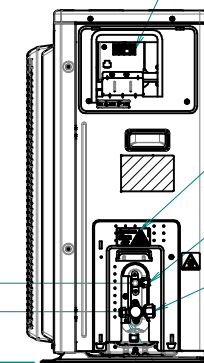
In case of removing the stop valve cover.

Terminal strip with earth terminal

Caution label

Liquid stop valve
ø6.4 CuT

Gas stop valve
ø12.7 CuT



Service port

Minimum space for air passage

Wall height on air outlet side < 1200 mm

