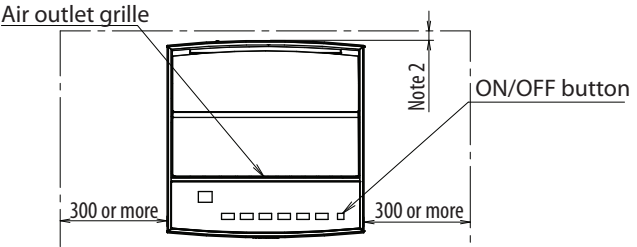
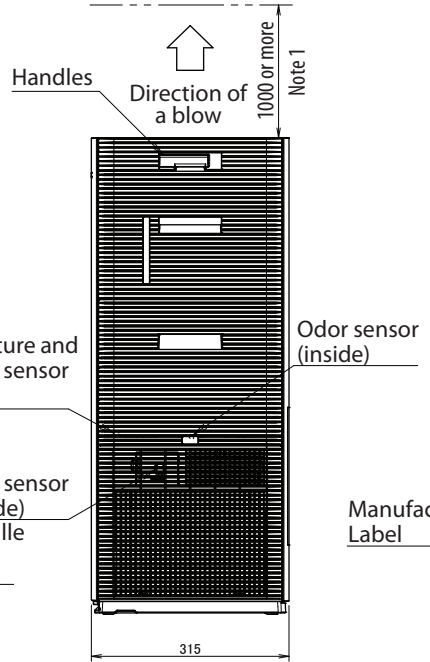
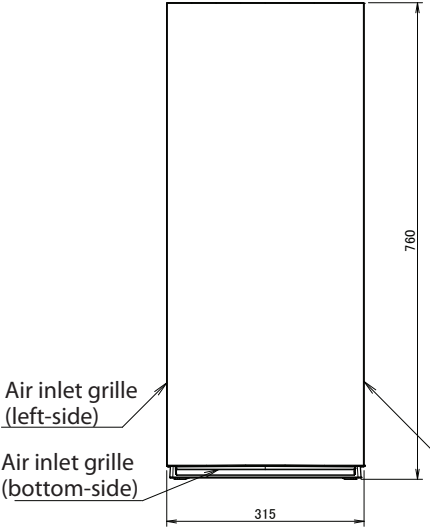
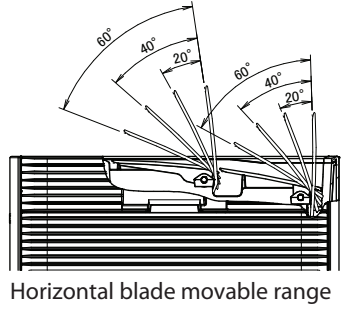


**MCK70ZW**  
**MCK70ZH**

- Required installation space (If installed on the floor)



- NOTES**
1. Please secure 1000 or more from the height of the main body.
  2. Keep a distance from the wall so that the power cable does not bend forcibly.



Power supply cord	: C-type
Plug type	: H05VVH2-F
Type of cordage	: 0.75mm <sup>2</sup>
Cross Section Area	: 2
No. of conductors	: 2000 ±50
Length outside machine	

